



Highlight Installation Guidance





Highlight

Highlight is an innovative ventilated wall cladding system that gives high rates of air movement and light transmission.

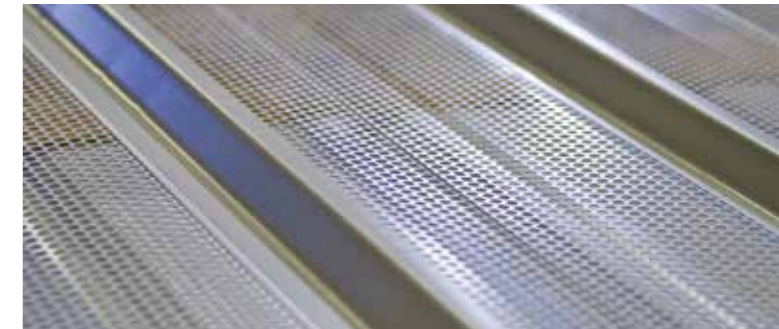
Highlight fills the building with evenly distributed light and fresh air, providing a natural, sheltered environment which is ideal for livestock and provides a performance life of 8 -10 years to first maintenance, when installed correctly.

Bringing all the health benefits of good ventilation and even light without the need for roof lights. Highlight has been proven for use on equine arenas, ménages and milking parlours.



Features & Benefits

- Excellent ventilation and natural lighting
- Suitable for all new build and renovations
- Improved well-being of all animals
- Lightweight yet rigid
- Conformity assessed to BS EN 14782:2006
- Made to measure
- Blends with the environment
- Bright clean interior
- Juniper Green external with Light Grey internal finish
- Simple and quick to install



Handling and Storage

HIGHLIGHT has sharp edges, especially at the top and bottom and strong gloves should be worn when handling and installing it. HIGHLIGHT sheeting should ideally be ordered when you are ready to instal immediately. If you do have to store the material prior to installation then it must be kept inside, in the dry to avoid the material developing natural white rust from the zinc coating.

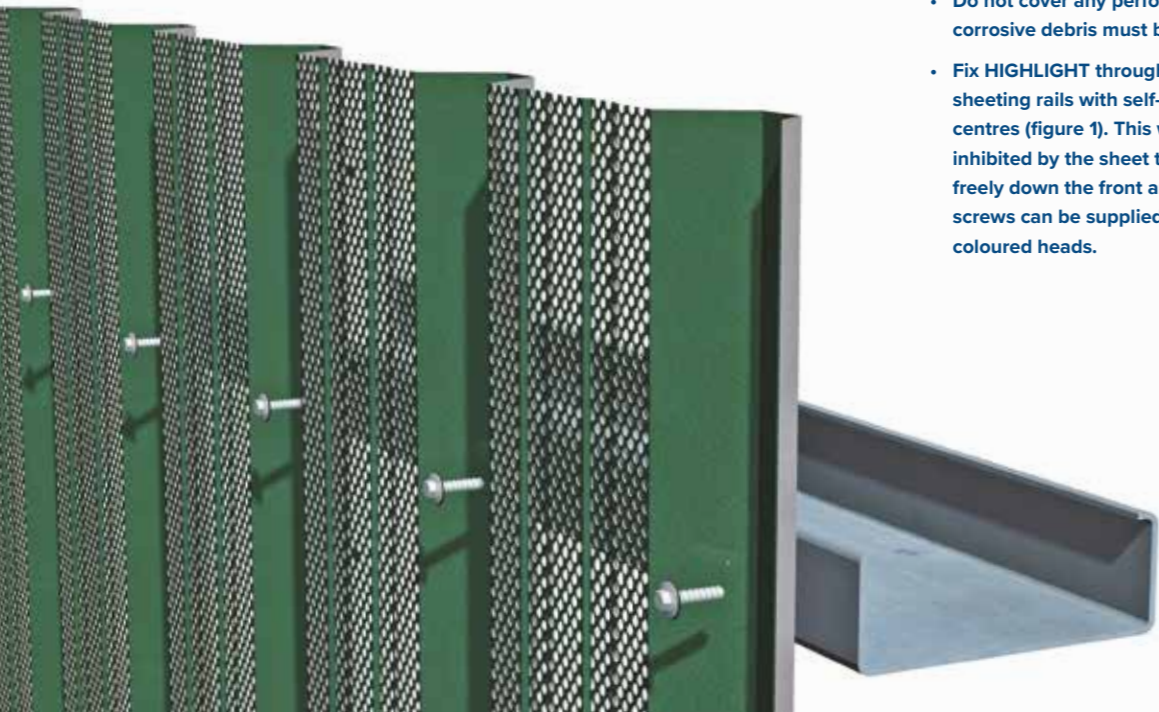
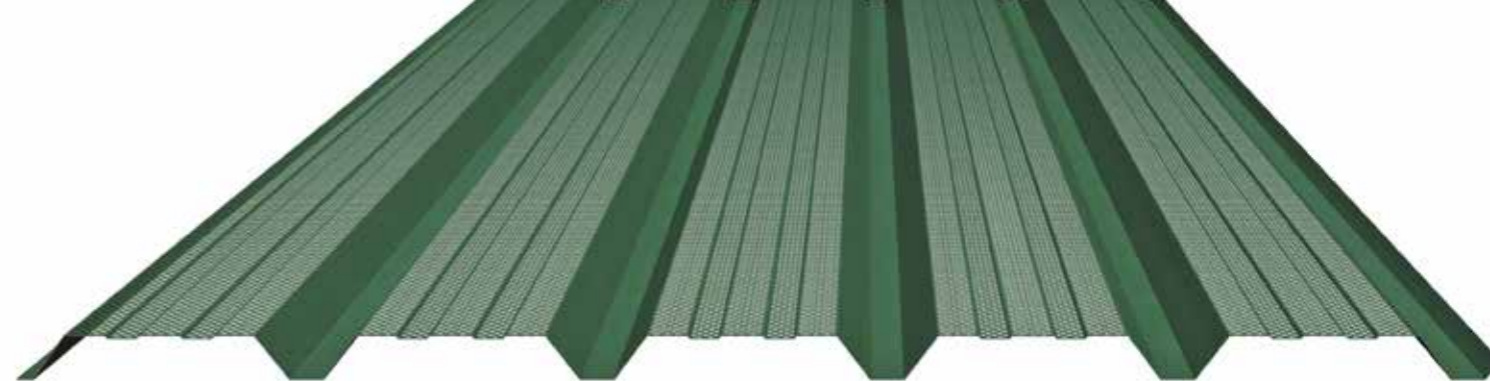


Figure 1 - Fixing through valley's to sheeting rail.

Installation

The following steps must be followed to ensure correct installation.

- Fit HIGHLIGHT above solid walls and out of reach of the livestock to avoid damage and possible injury to animals.
- Do not cover any perforations. Moisture and potentially corrosive debris must be kept clear from the holes.
- Fix HIGHLIGHT through every valley to timber or metal sheeting rails with self-drilling TEK screws at maximum 1.8m centres (figure 1). This will allow the weather that is inhibited by the sheet to hit the face of the sheet and run freely down the front and back of the perforated face. The screws can be supplied with loose coloured caps or factory coloured heads.

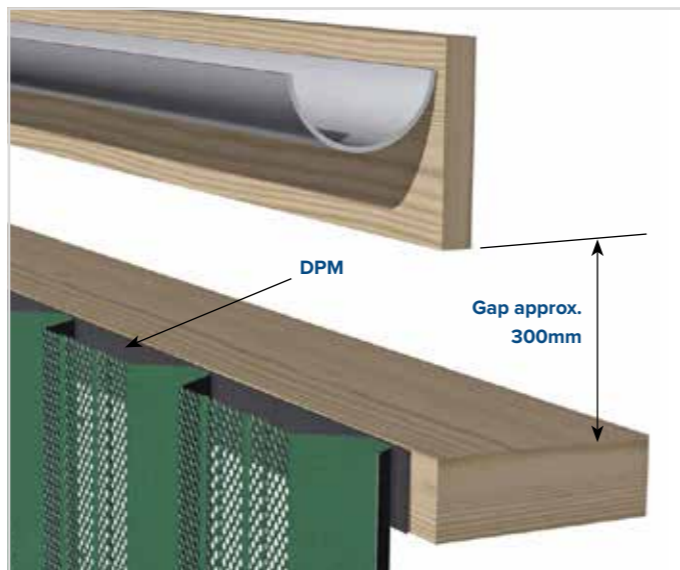
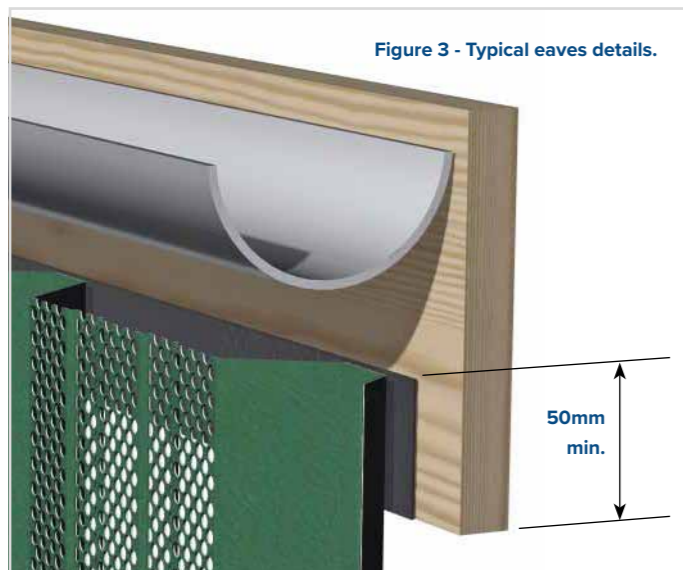


- Side laps are formed by lapping the male overlapping leg into the female trough of a profile (figure 2). Best practice suggests the exposed edge of a lap should face away from the prevailing wind.
- Fixings to light section steel should be at least 25mm long, and embedment into timber purlins should be at least 30mm.



Figure 2 - Fixing at side laps and through valley.

- Like all metal sheets, HIGHLIGHT should be isolated from treated timber by, for example, a DPM, to prevent corrosion.
- Avoid the use of a covering fascia board at eaves (figure 3). The perforations being in contact with any flat surface will cause a small amount of moisture to be trapped in the hole which over time can lead to premature corrosion.



Environmental Credentials

We are keen to reduce the impact our business and processes have on the environment and the communities we live in.

While the introduction of sustainable construction methods is a challenge to the whole construction industry, our main raw material – steel – is widely recycled: 85 - 90% of steel from demolition goes for re-use and 40% of steel used in new construction has been recycled.

By using modern machinery and upgrading our facilities we are continually reducing the impact of our products on the environment, and improving their contribution to the long-term performance of buildings.

Technical Support

We offer free technical support for all our products, including:

- **Technical data sheets**
- **Copies of test certificates**
- **Loading calculation**
- **Design and installation guidance**

Call us on **01884 839302** or email queries to sales@unitedroofingproducts.com

All our product information is available on our website: www.unitedroofingproducts.com



EVERYTHING UNDER ONE ROOF

The metal building envelope solution provider
for the agricultural and industrial markets

Single skin profiles • Insulated composite roof and wall panels

Twin skin systems • Standing seam roofing • Purlins and rails

Condensation control • Gutters and flashings • Roof lights • Drainage products

TRUMPF power tools • Fixings and sealants • Aluminium products

Call us on 01884 839302

sales@unitedroofingproducts.com | www.unitedroofingproducts.com

United Roofing Products, Unit 4 Lucas Way, Hitchcocks Business Park, Uffculme, Cullompton,
Devon EX15 3FA